



Condair SH2

Änderungen vorbehalten!

Subject to change!

Modifications réservées!

Pos.	Artikel Article Article	Typ Type Type	flow	flow C	flow SC	flow SC UV	REflow	REflow C	REflow SC	REflow SC UV	Art.-/SAP-Nr. Art.-/SAP-No. Art.-/SAP-No.
Hydraulikeinheit / Hydraulic unit / Unité hydraulique											
01	Y-Verbinder Y-connector Raccord Y		x	x	x	x	x	x	x	x	2526175
02	Mengenregler 0.6-8.0 l/min Flow regulator 0.6-8.0 l/min Régulateur de débit 0.6-8.0 l/min	Standard Niro	x	x	x	x	x	x	x	x	2526176 2543047
			x	x	x	x	x	x	x	x	
03	Schlauchbride 12-22/9 (5 Stk.) Hose clamp 12-22/9 (5 pcs) Collier de serrage 12-22/9 (5 pcs)		x	x	x	x	x	x	x	x	2526178
04	Schlauchbride 20-32/9 (5 Stk.) Hose clamp 20-32/9 (5 pcs) Collier de serrage 20-32/9 (5 pcs)		x	x	x	x	x	x	x	x	2526179
05	Überwurfmutter ø16 (5 Stk.) Union nut ø16 (5 pcs) Ecrou-chapeau ø16 (5 pcs)		x	x	x	x	x	x	x	x	2525935
06	Stufenregelventil Step controlvalve Vanne de réglage à étage				x	x			x	x	2526180
07	Druckschalter 2 bar Pressure switch 2 bar Monocontact à pressure 2 bar				1	1					2526181
08	Mengenregler Flow regulator Régulateur de débit	4.0-15.0 l/min					1			1	2526182
09	Schwimmerventil Float valve Soupape à flotteur débit	5.0 l/min					x				2526183
		10.0 l/min					x				2526184
		15.0 l/min					x				2526185
		20.0 l/min					x				2526186
10	Kreiselpumpe Rotary pump Pompe centrifuge						x	x	x	x	2526188
11	Einlass-Magnetventil Inlet solenoid valve Electrovanne de remplissage	5.0 l/min						x	x	x	2526189
		10.0 l/min						x	x	x	2526190
		15.0 l/min						x	x	x	2526191
		20.0 l/min						x	x	x	2526191

Pos.	Artikel Article Article	Typ Type Type	flow	flow C	flow SC	flow SC UV	REflow	REflow C	REflow SC	REflow SC UV	Art.-/SAP-Nr. Art.-/SAP-No. Art.-/SAP-No.
12	Niveauschalter Level switch Commutateur à niveau							1	1	1	2526193
13	Flachdichtung ø24/14 x 5 (5 Stk.) Flat gasket ø24/14 x 5 (5 pcs) Joint ø24/14 x 5 (5 pcs)		x	x	x	x	x	x	x	x	2543059
14	Überwurfmutter ø20 (2 Stk.) Union nut ø20 (2 pcs) Ecrou-chapeau ø20 (2 pcs)				1	1	2			2	2526197
15	Stopfen G3/8" Buckler G3/8" Bouchon G3/8"		x	x	x	x	x	x	x	x	2526198
16	Stopfen G1/2" Buckler G1/2" Bouchon G1/2"		1				1				2526199
17	Schlauchstück ø19/27, l=70 Piece of hose ø19/27, l=70 Pièce de tuyeau ø19/27, l=70		1	1	1	1	1	1	1	1	2526200
18	Schlauchstück ø16/21, l=60 Piece of hose ø16/21, l=60 Pièce de tuyeau ø16/21, l=60		x	x	x	x	x	x	x	x	2526201
19	Übergangsnippel 3/8" Transition nipple 3/8" raccord de transition 3/8"		x	x	x	x	x	x	x	x	2526202
20	Schlauchtülle ø16 Hose connector ø16 Douille de tuyau ø16		x	x	x	x	x	x	x	x	2526203
21	Schlauchtülle ø20 Hose connector ø20 Douille de tuyau ø20			1	1	1	1	1	1	1	2526204
22	Schlauchtülle ø20 gross Hose connector ø20 big Douille de tuyau ø20 grande						1			1	2526219
23	Schlauchtülle ø19 - G3/4" Hose connector ø19 - G3/4" Douille de tuyau ø19 - G3/4"		2	2	2	2	2	2	2	2	2526205
24	Schlauchstück ø19/27, l=730 Piece of hose ø19/27, l=730 Pièce de tuyeau ø19/27, l=730					1				1	2526206
25	Schlauchstück ø19/27, l=460 Piece of hose ø19/27, l=460 Pièce de tuyeau ø19/27, l=460									1	2526207
26	Schlauchstück ø19/27, l=900 Piece of hose ø19/27, l=900 Pièce de tuyeau ø19/27, l=900				1	1					2526220

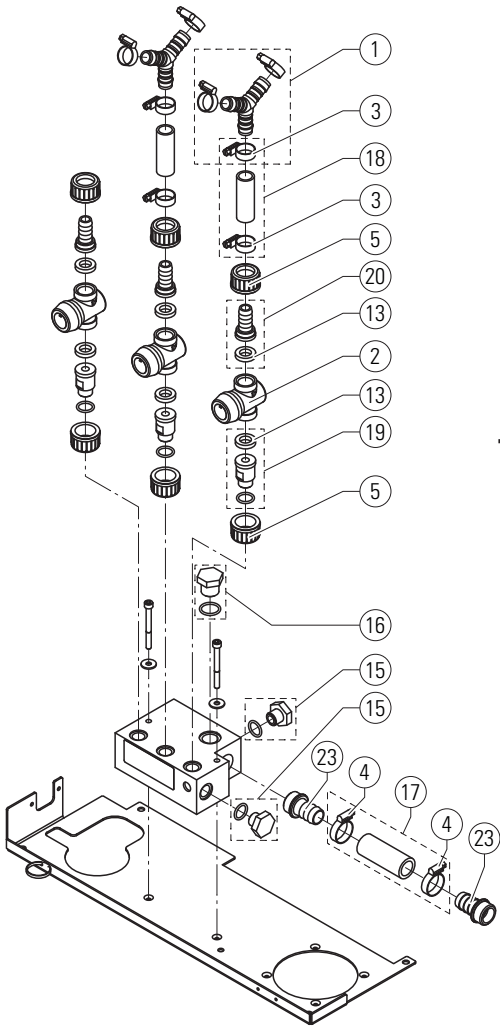
Pos.	Artikel Article Article	Typ Type Type	flow	flow C	flow SC	flow SC UV	REflow	REflow C	REflow SC	REflow SC UV	Art.-/SAP-Nr. Art.-/SAP-No. Art.-/SAP-No.
27	Leitwertelektrode Conductivity electrode Electrode de conductivité							x	x	x	2526209
28	UV-Röhre Tubular UV lamp Tube lampe UV				x					x	2526221
29	Übergangsnippel 1/2" Transition nipple 1/2" Raccord de transition 1/2"				1	1	1			1	2526257
30	Einlass-Magnetventil Inlet solenoid valve Electrovanne de remplissage	5.0 l/min 10.0 l/min 15.0 l/min 20.0 l/min		x x x x							2527817 2527818 2527819 2527820
31	Schlauchstück ø19/27, l=750 Pice of hose ø19/27, l=750 Pièce de tuyau ø19/27, l=750			1							2527816
32	Doppelnippel G3/4"- G1/2" Double nipple G3/4"- G1/2" Raccord double G3/4"- G1/2"				x	x			x	x	2527814
33	Doppelnippel G1"- G1/2" SH2 Double nipple G1"- G1/2" SH2 Raccord double G1"- G1/2" SH2				1	1					2527815
34	Auslassventil kpl Outlet valve cpl Vanne d'écoulement cpl							x	x	x	2526245
35	Flachdichtung ø24/17 x 2 (5 Stk.) Flat gasket ø24/17 x 2 (5 pcs) Joint ø24/17 x 2 (5 pcs)			x	x	x	x	x	x	x	2542955

Befeuchterboxen / Humidification boxes / Boxes d'humidification

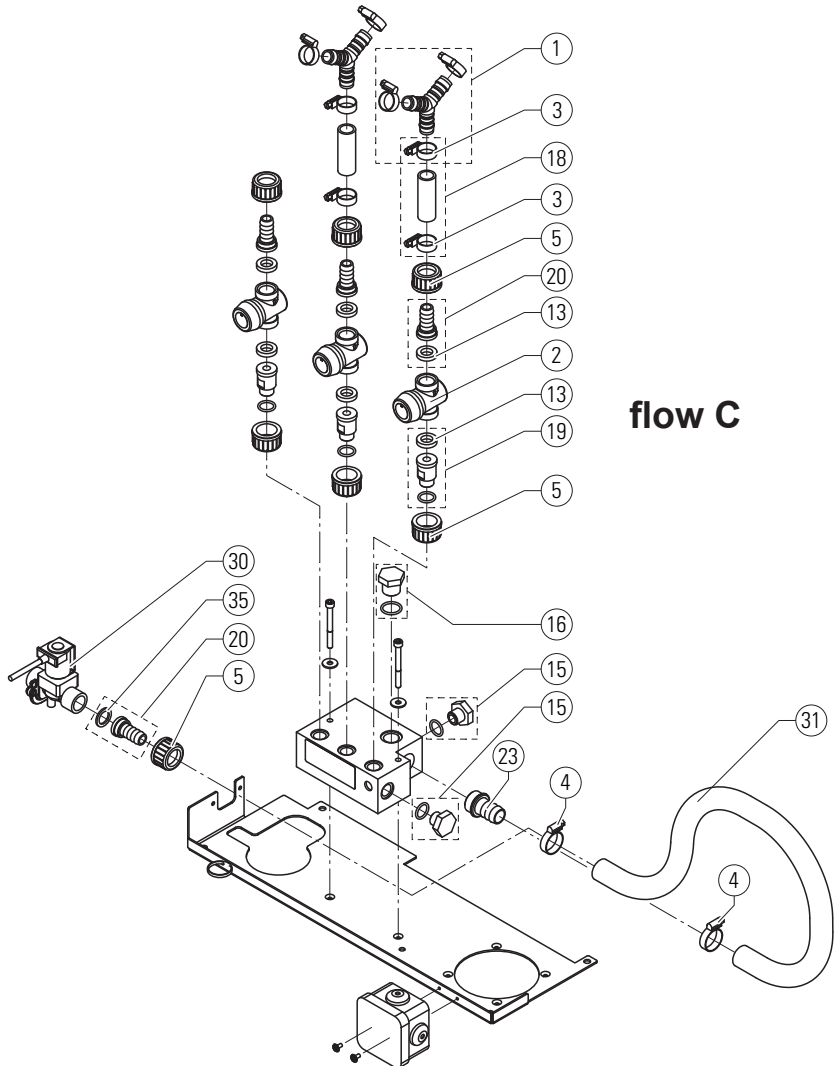
40	Befeuchterbox	01	400x450x100	x	x	x	x	x	x	x	2524816
	Humidification box	19	400x525x100	x	x	x	x	x	x	x	2531206
	Box d'humidification	02	400x600x100	x	x	x	x	x	x	x	2524817
		20	400x675x100	x	x	x	x	x	x	x	2531207
		03	400x750x100	x	x	x	x	x	x	x	2524818
		21	400x825x100	x	x	x	x	x	x	x	2531208
		22	500x450x100	x	x	x	x	x	x	x	2531209
		23	500x525x100	x	x	x	x	x	x	x	2531210
		24	500x600x100	x	x	x	x	x	x	x	2531211
		25	500x675x100	x	x	x	x	x	x	x	2531212
		26	500x750x100	x	x	x	x	x	x	x	2531213
		27	500x825x100	x	x	x	x	x	x	x	2531214
		04	600x450x100	x	x	x	x	x	x	x	2524819
		28	600x525x100	x	x	x	x	x	x	x	2531215
		05	600x600x100	x	x	x	x	x	x	x	2524820
		29	600x675x100	x	x	x	x	x	x	x	2531216
		06	600x750x100	x	x	x	x	x	x	x	2524821
		30	600x825x100	x	x	x	x	x	x	x	2531217
		31	700x450x100	x	x	x	x	x	x	x	2531218
		32	700x525x100	x	x	x	x	x	x	x	2531219
		33	700x600x100	x	x	x	x	x	x	x	2531220

Pos.	Artikel Article Article	Typ Type Type	flow	flow C	flow SC	flow SC UV	REflow	REflow C	REflow SC	REflow SC UV	Art.-/SAP-Nr. Art.-/SAP-No. Art.-/SAP-No.
34	700x675x100		x	x	x	x	x	x	x	x	2531221
35	700x750x100		x	x	x	x	x	x	x	x	2531222
36	700x825x100		x	x	x	x	x	x	x	x	2531223
07	400x450x200		x	x	x	x	x	x	x	x	2524822
37	400x525x200		x	x	x	x	x	x	x	x	2531224
08	400x600x200		x	x	x	x	x	x	x	x	2524823
38	400x675x200		x	x	x	x	x	x	x	x	2531225
09	400x750x200		x	x	x	x	x	x	x	x	2524824
39	400x825x200		x	x	x	x	x	x	x	x	2531226
40	500x450x200		x	x	x	x	x	x	x	x	2531227
41	500x525x200		x	x	x	x	x	x	x	x	2531228
42	500x600x200		x	x	x	x	x	x	x	x	2531229
43	500x675x200		x	x	x	x	x	x	x	x	2531230
44	500x750x200		x	x	x	x	x	x	x	x	2531231
45	500x825x200		x	x	x	x	x	x	x	x	2531232
10	600x450x200		x	x	x	x	x	x	x	x	2524825
46	600x525x200		x	x	x	x	x	x	x	x	2531233
11	600x600x200		x	x	x	x	x	x	x	x	2524826
47	600x675x200		x	x	x	x	x	x	x	x	2531234
12	600x750x200		x	x	x	x	x	x	x	x	2524827
48	600x825x200		x	x	x	x	x	x	x	x	2531235
49	700x450x200		x	x	x	x	x	x	x	x	2531236
50	700x525x200		x	x	x	x	x	x	x	x	2531237
51	700x600x200		x	x	x	x	x	x	x	x	2531238
52	700x675x200		x	x	x	x	x	x	x	x	2531239
53	700x750x200		x	x	x	x	x	x	x	x	2531240
54	700x825x200		x	x	x	x	x	x	x	x	2531241
13	400x450x300		x	x	x	x	x	x	x	x	2524828
55	400x525x300		x	x	x	x	x	x	x	x	2531242
14	400x600x300		x	x	x	x	x	x	x	x	2524829
56	400x675x300		x	x	x	x	x	x	x	x	2531243
15	400x750x300		x	x	x	x	x	x	x	x	2524830
57	400x825x300		x	x	x	x	x	x	x	x	2531244
58	500x450x300		x	x	x	x	x	x	x	x	2531245
59	500x525x300		x	x	x	x	x	x	x	x	2531246
60	500x600x300		x	x	x	x	x	x	x	x	2531247
61	500x675x300		x	x	x	x	x	x	x	x	2531248
62	500x750x300		x	x	x	x	x	x	x	x	2531249
63	500x825x300		x	x	x	x	x	x	x	x	2531250
16	600x450x300		x	x	x	x	x	x	x	x	2524831
64	600x525x300		x	x	x	x	x	x	x	x	2531251
17	600x600x300		x	x	x	x	x	x	x	x	2524832
65	600x675x300		x	x	x	x	x	x	x	x	2531252
18	600x750x300		x	x	x	x	x	x	x	x	2524833
66	600x825x300		x	x	x	x	x	x	x	x	2531253
67	700x450x300		x	x	x	x	x	x	x	x	2531254
68	700x525x300		x	x	x	x	x	x	x	x	2531255
69	700x600x300		x	x	x	x	x	x	x	x	2531256
70	700x675x300		x	x	x	x	x	x	x	x	2531257
71	700x750x300		x	x	x	x	x	x	x	x	2531258
72	700x825x300		x	x	x	x	x	x	x	x	2531259

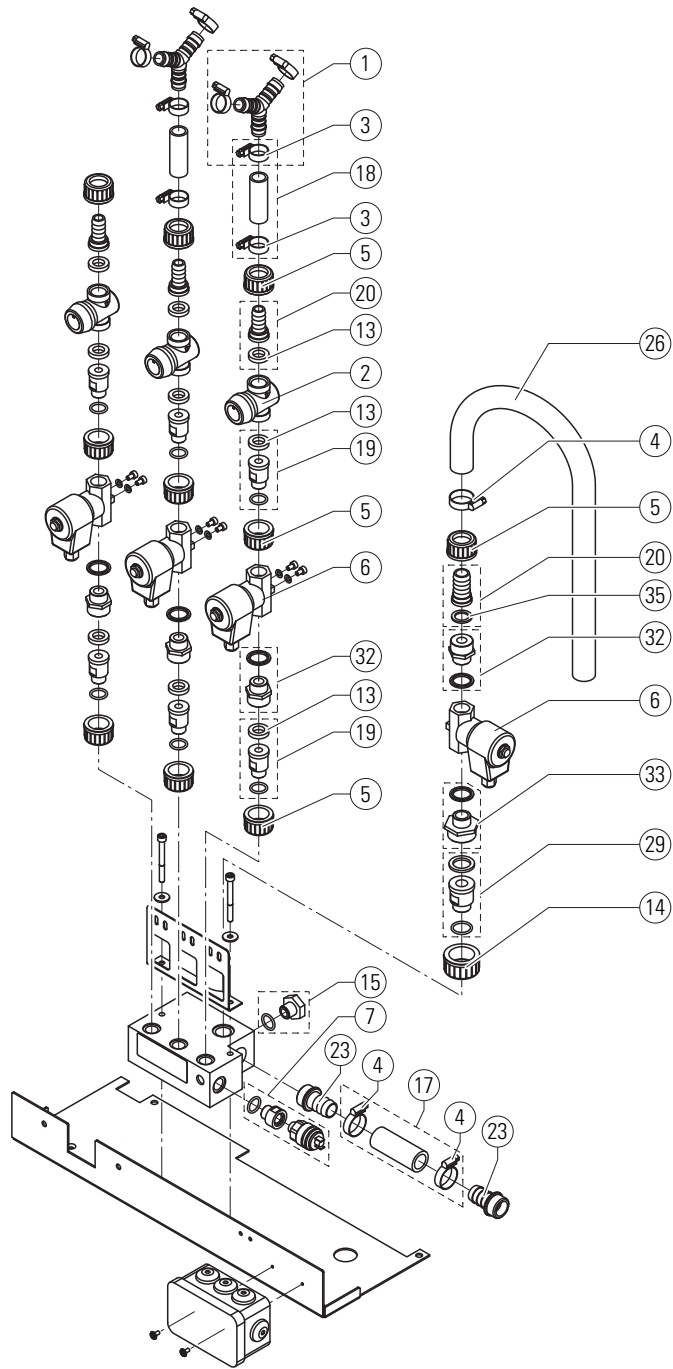
Pos.	Artikel Article Article	Typ Type Type	flow	flow C	flow SC	flow SC UV	REflow	REflow C	REflow SC	REflow SC UV	Art.-/SAP-Nr. Art.-/SAP-No. Art.-/SAP-No.
Steuerung / Control unit / Unité de commande											
51	Bedienpanel kpl. Control panel cpl. Panneau de commande cpl.				1	1		1	1	1	2526224
52	CPU-Print CPU-board Platine CPU				1	1		1	1	1	2526225
53	Hauptschalter Main switch Commutateur principal				1	1		1	1	1	2526226
54	Hauptprint Main print Platine principal				1	1		1	1	1	2526227
55	Schütz Contactor Contacteur				1	1		1	1	1	2526228
56	Thermorelais Thermal relay Relais thermique				1	1		1	1	1	2526229
57	Betriebs- und Störungsfernmeldung Remote operating and fault indication Télésignalisation d'exploitation et de dérangement				1	1		1	1	1	2526230



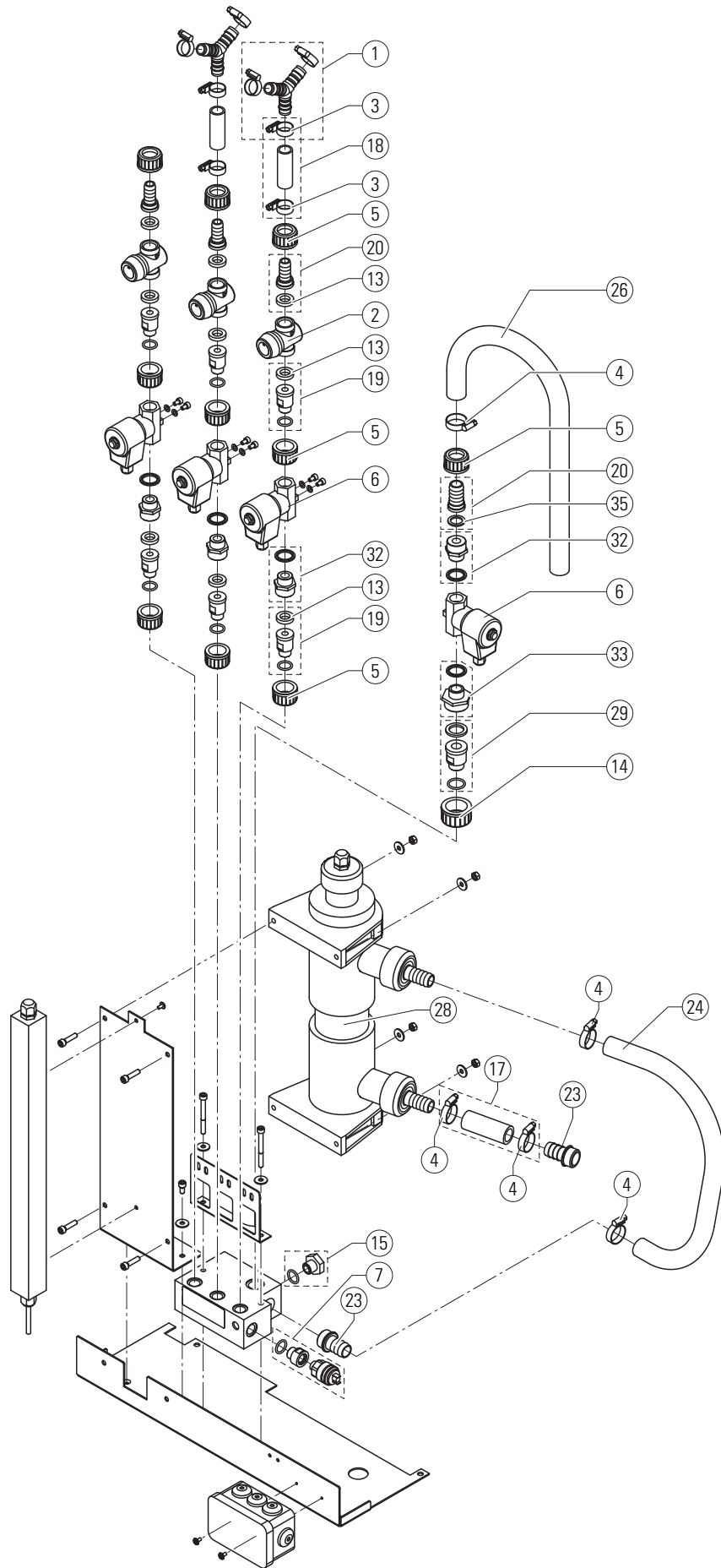
flow



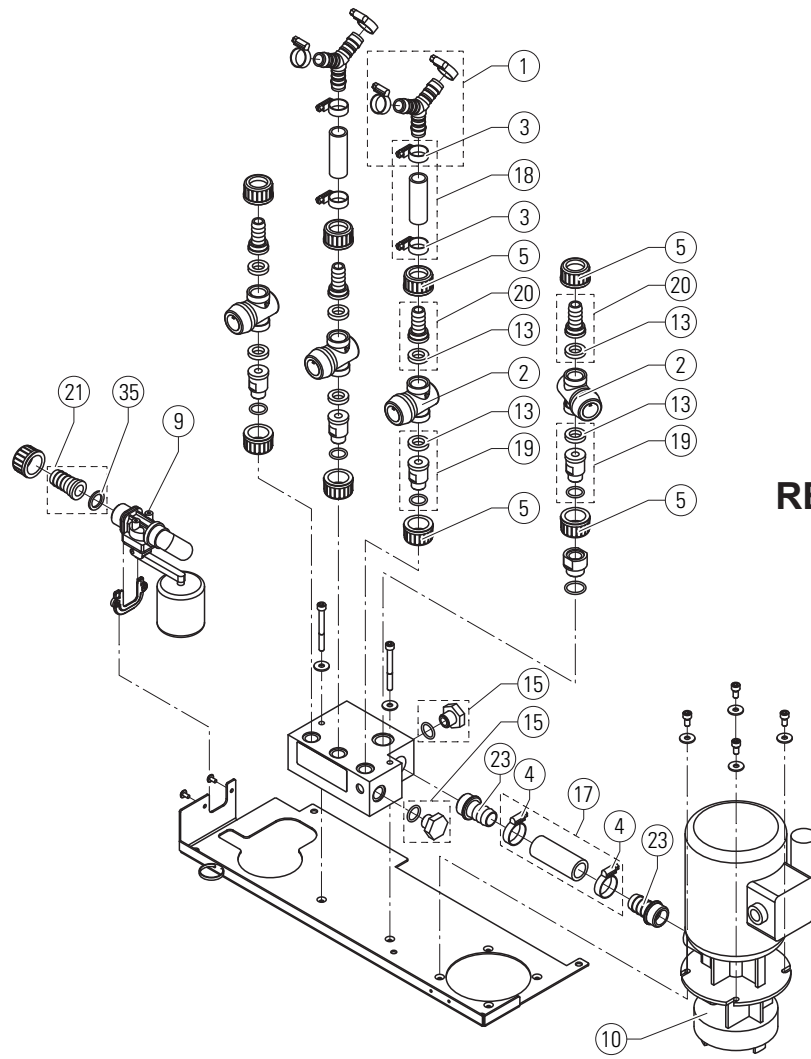
flow C



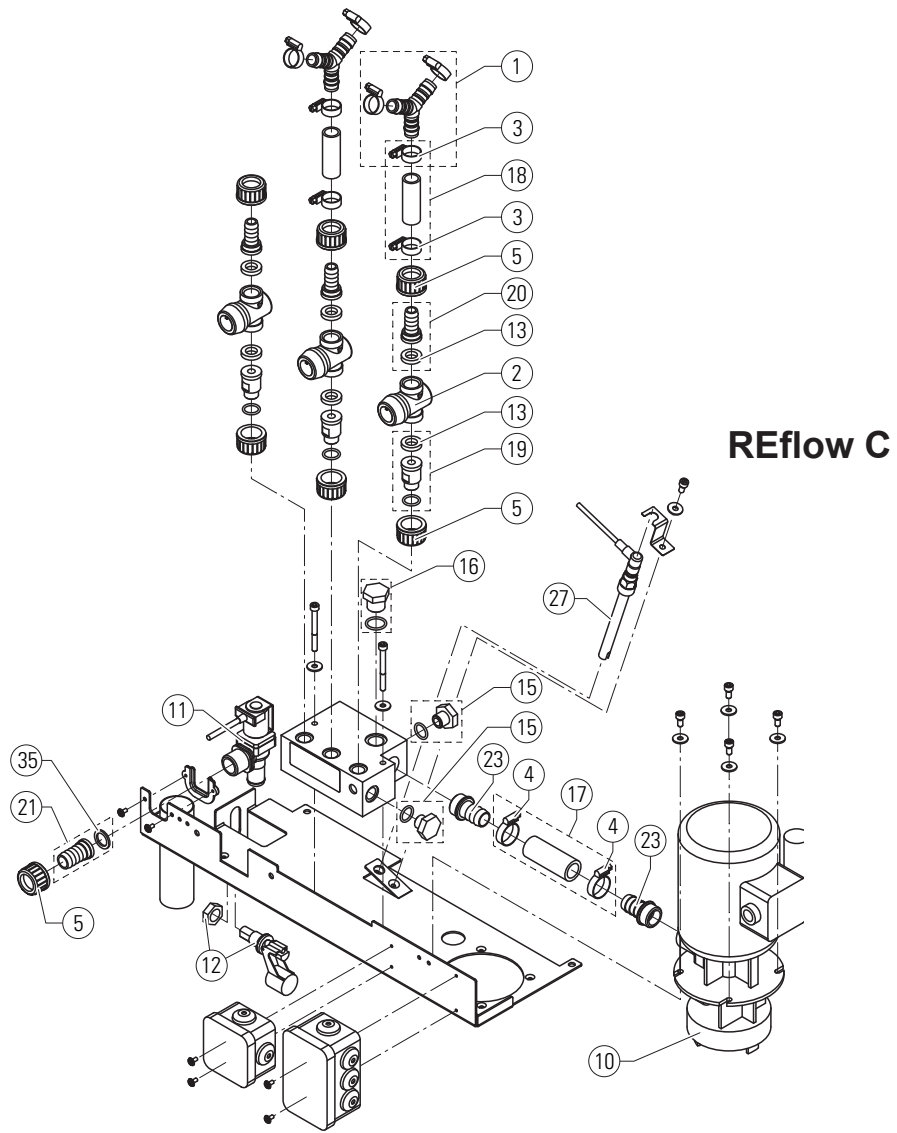
flow SC

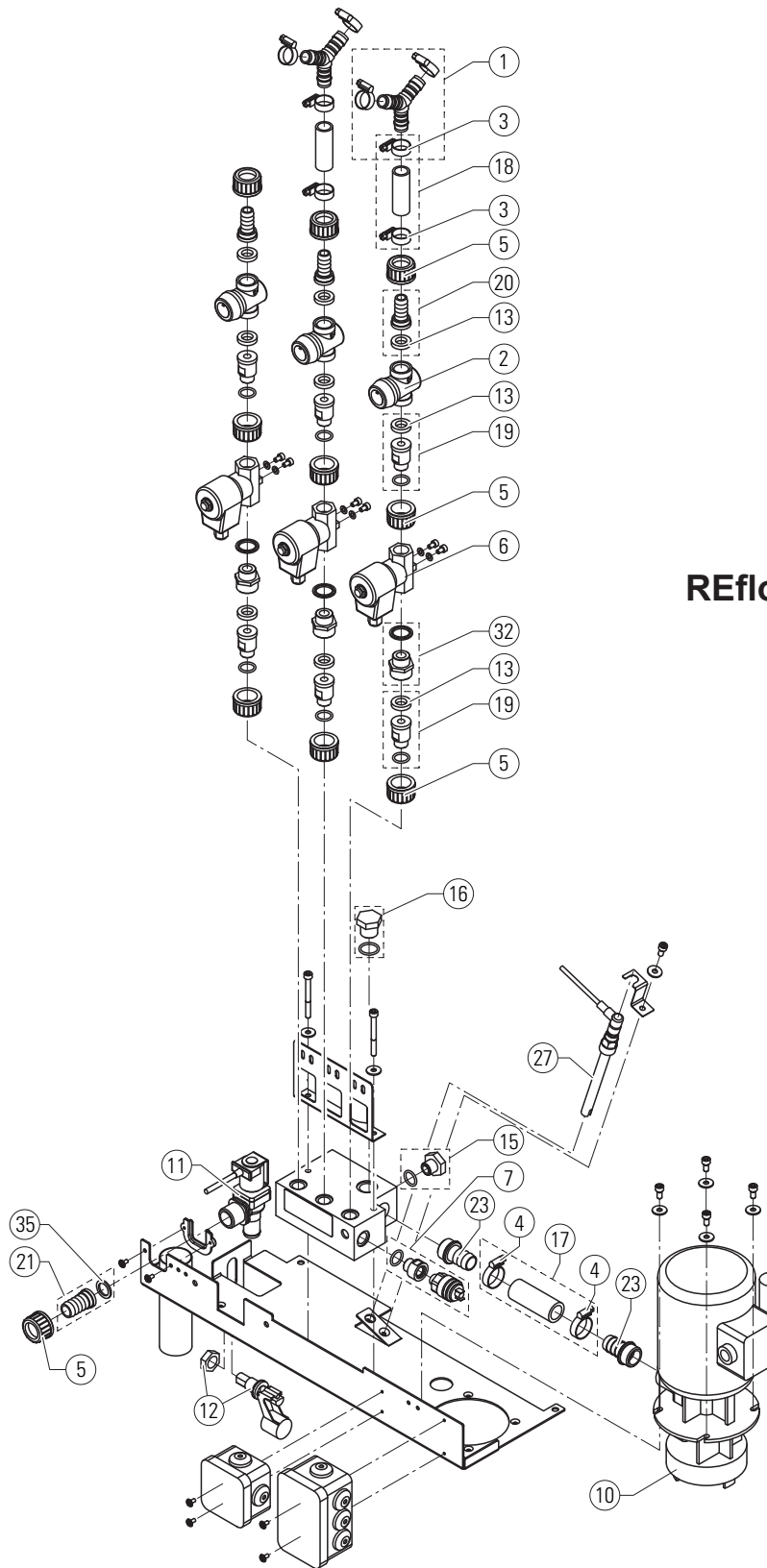


flow SC UV



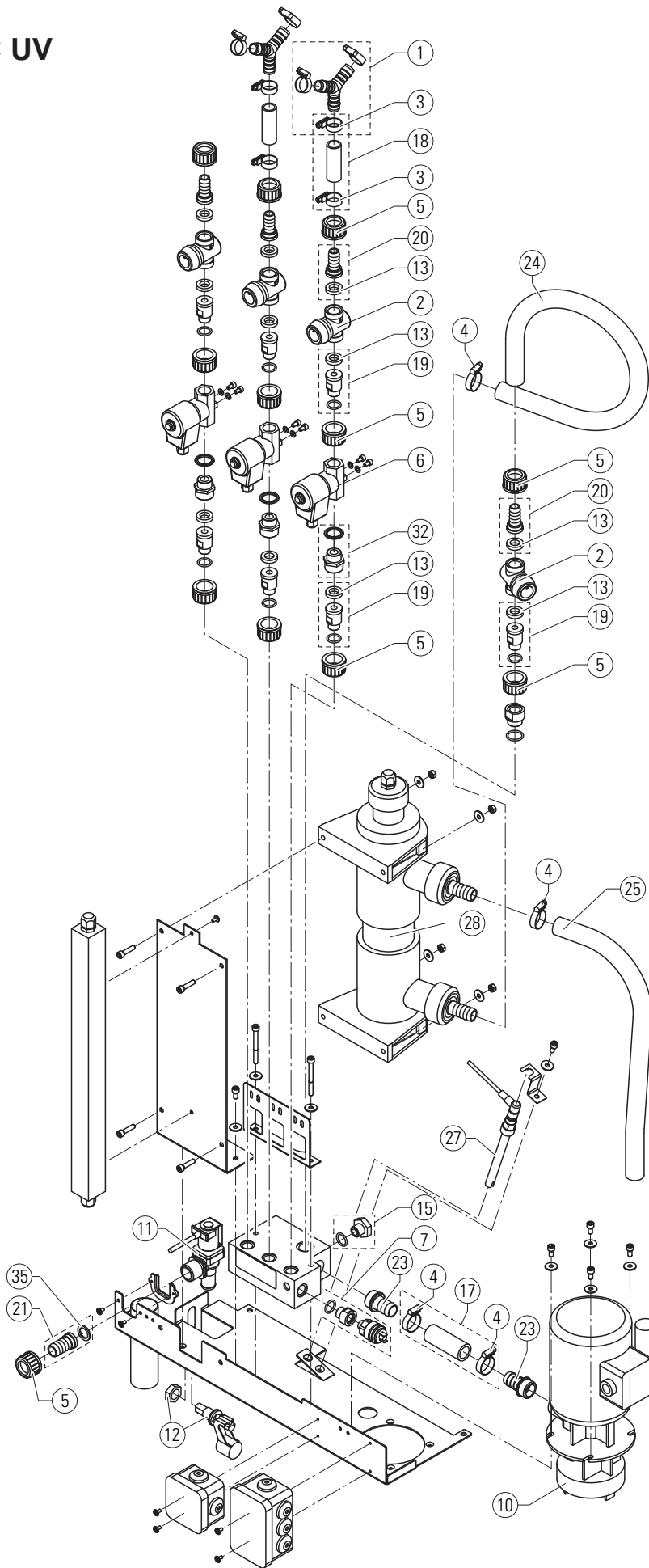
REflow

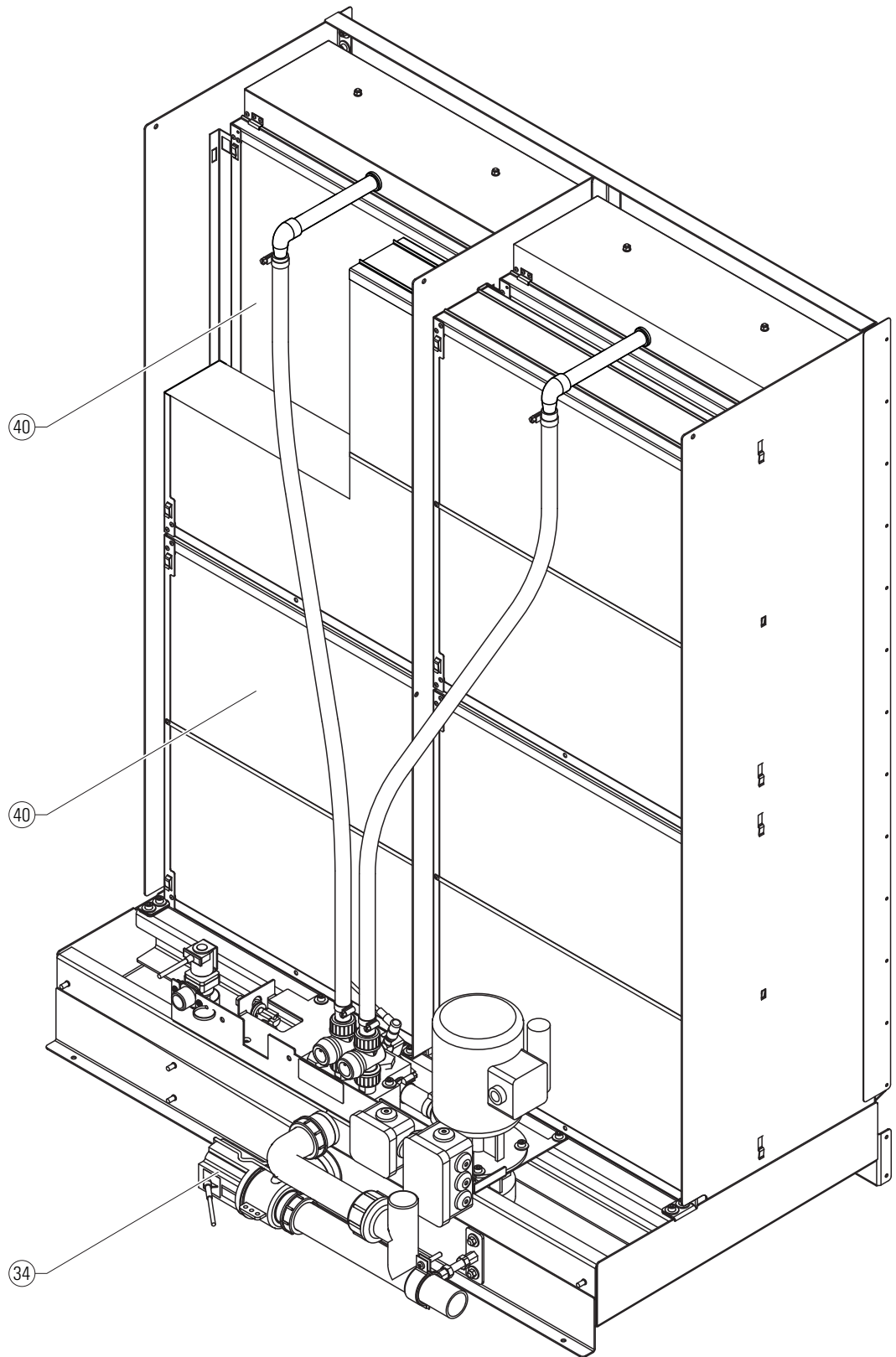


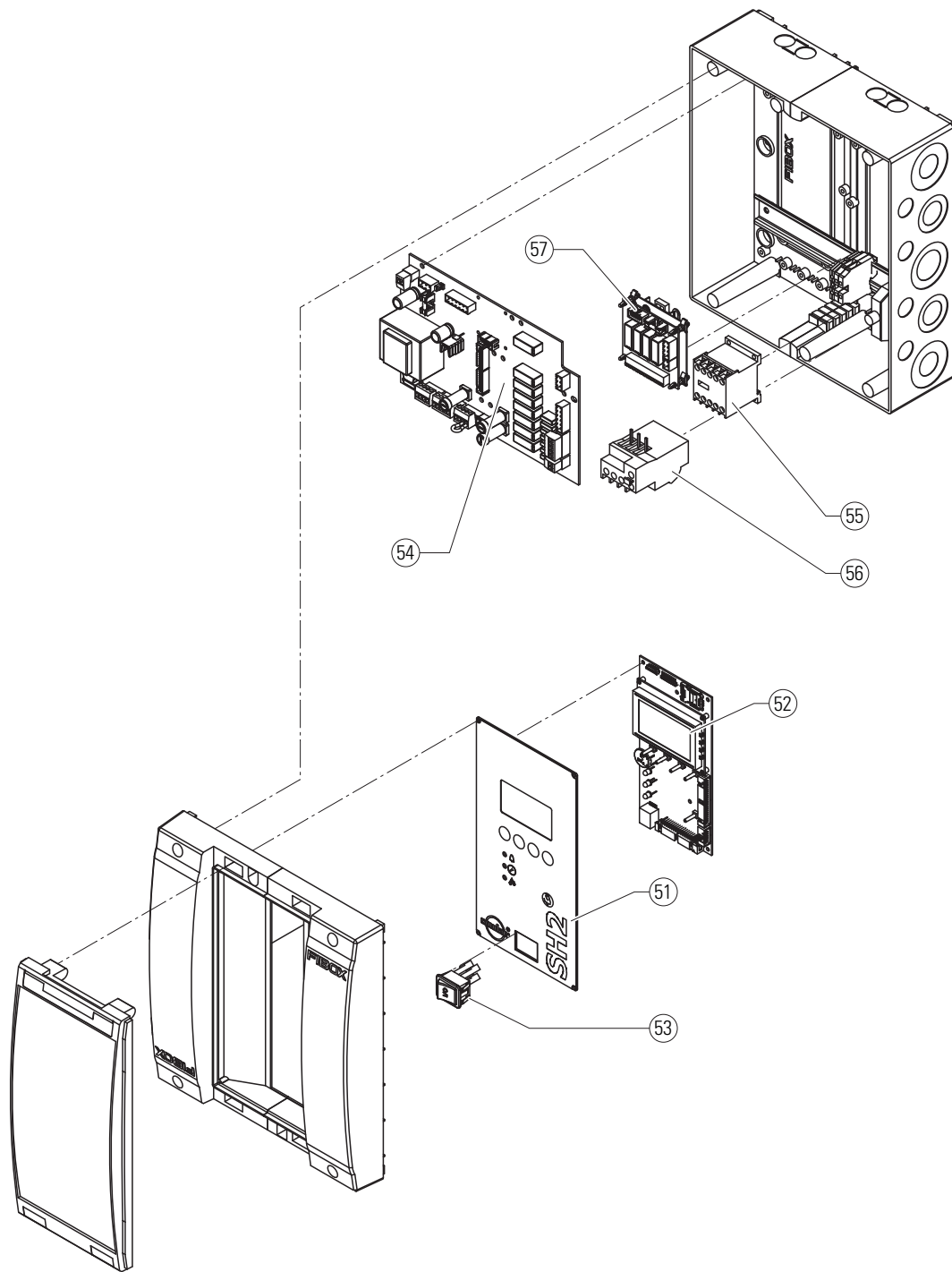


REflow SC

REflow SC UV







Manufacturer:
Walter Meier (Climate International) Ltd.
Talstr. 35-37, P.O. Box, CH-8808 Pfäffikon (Switzerland)
Phone +41 55 416 61 11, Fax +41 55 416 62 62
www.waltermeier.com, international.climate@waltermeier.com

**walter
meier**