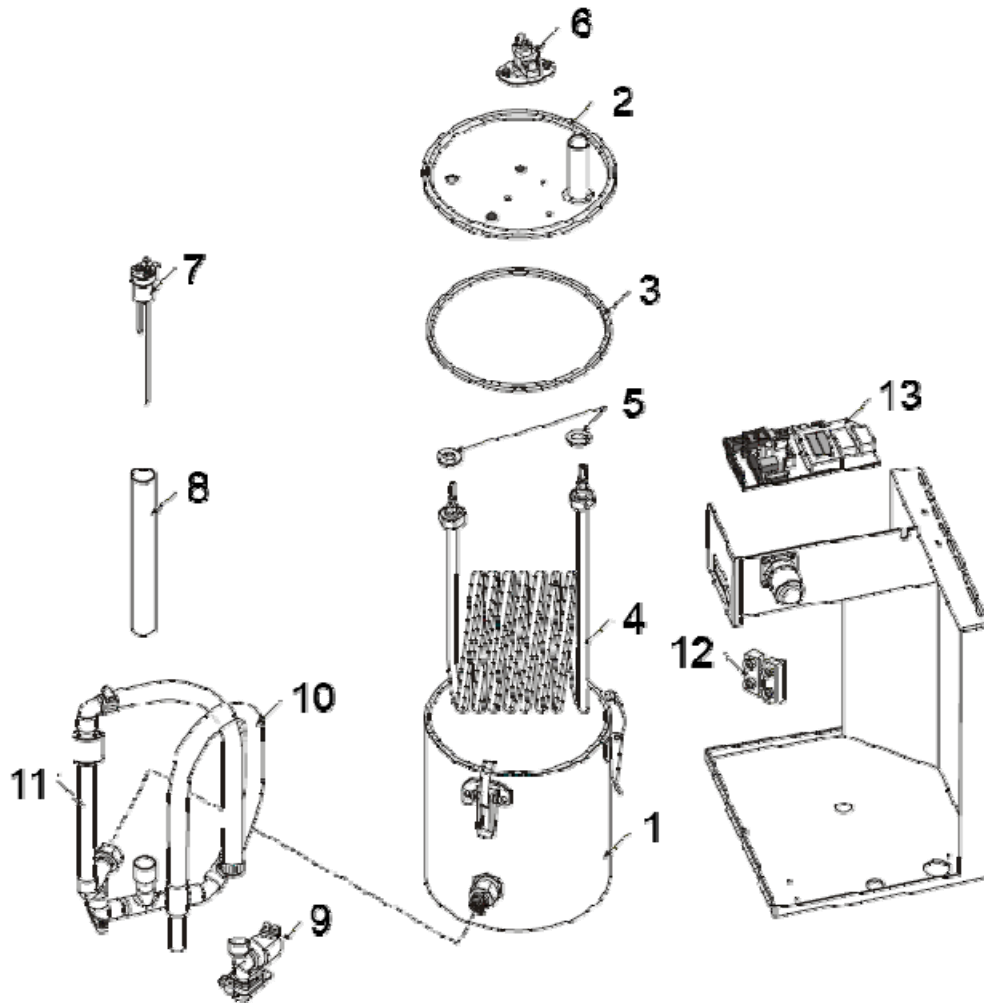


## Neptronic SKR with N kit - Unit



No	Item No	Description	£/each ex VAT
1	SWSKRCONT-ASSY	Evaporation Chamber Cylinder	POA
2	SP9012-M	Evaporation Chamber Cover	POA
3	SP9030	Evaporation Chamber Gasket	POA
4	SE5991	Heating Element	POA
	SE5992		
	SE5993		
5	SP1005	Heating Element Gasket	POA
6	SP3035	High Temperature Switch	POA
7	SWSKRLEV-ASSY	Water Level Sensor Assembly	POA
8	SP1025	Water Level Sensor Tube	POA
9	SP6004	Water Fill Valve	POA
10	SWSKRDRRAIN-ASSY	Drain Pipe Assembly	POA
11	SWSKRPIPE-ASSY	Main Plumbing Assembly	POA
12	SP9046	Terminal Block	POA
13	NWSKREMAINSS	Main PCB Board – ON/OFF	POA

Standard 2-3 day Mainland UK delivery is charged at 3% order value subject to minimum delivery charge. Overseas delivery £POA

All prices are valid until 31/03/09