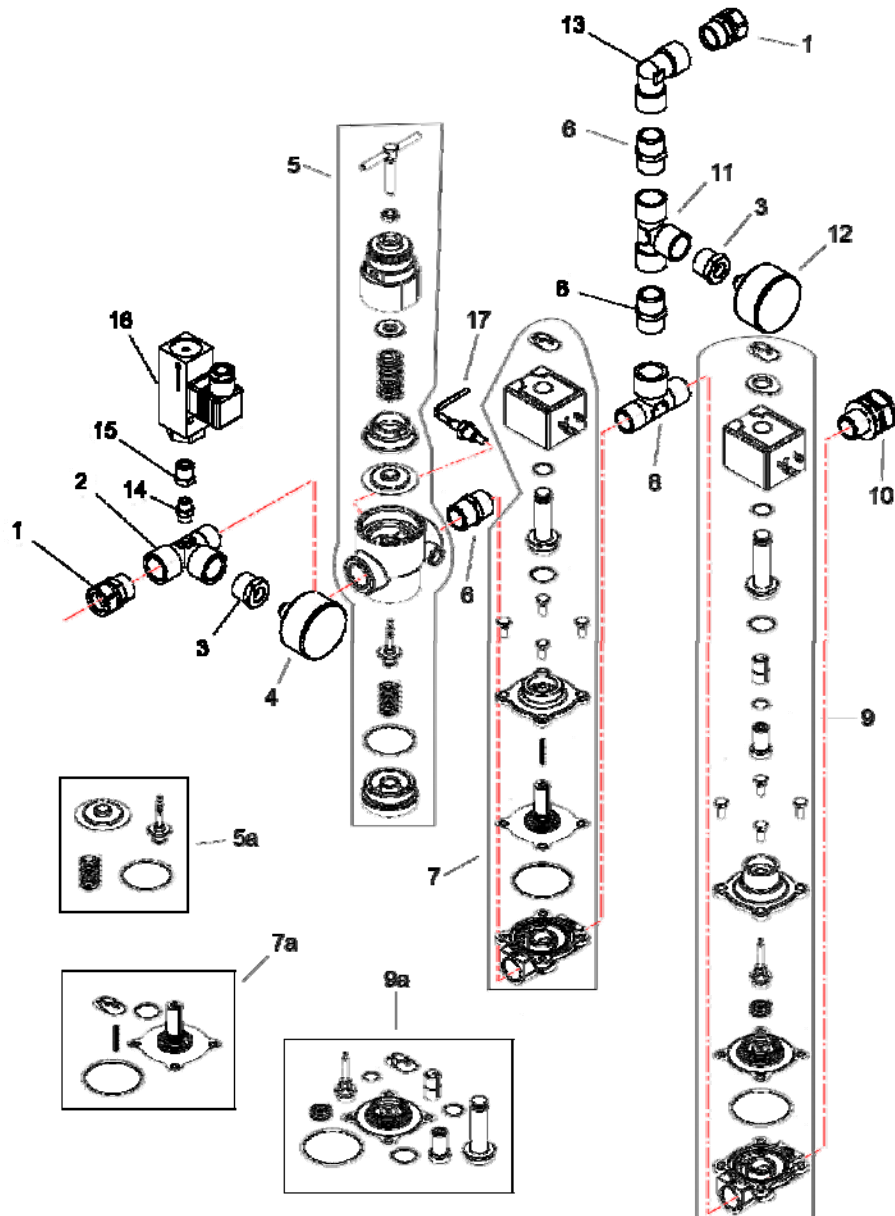


JS600 / JS600DS – Water Line

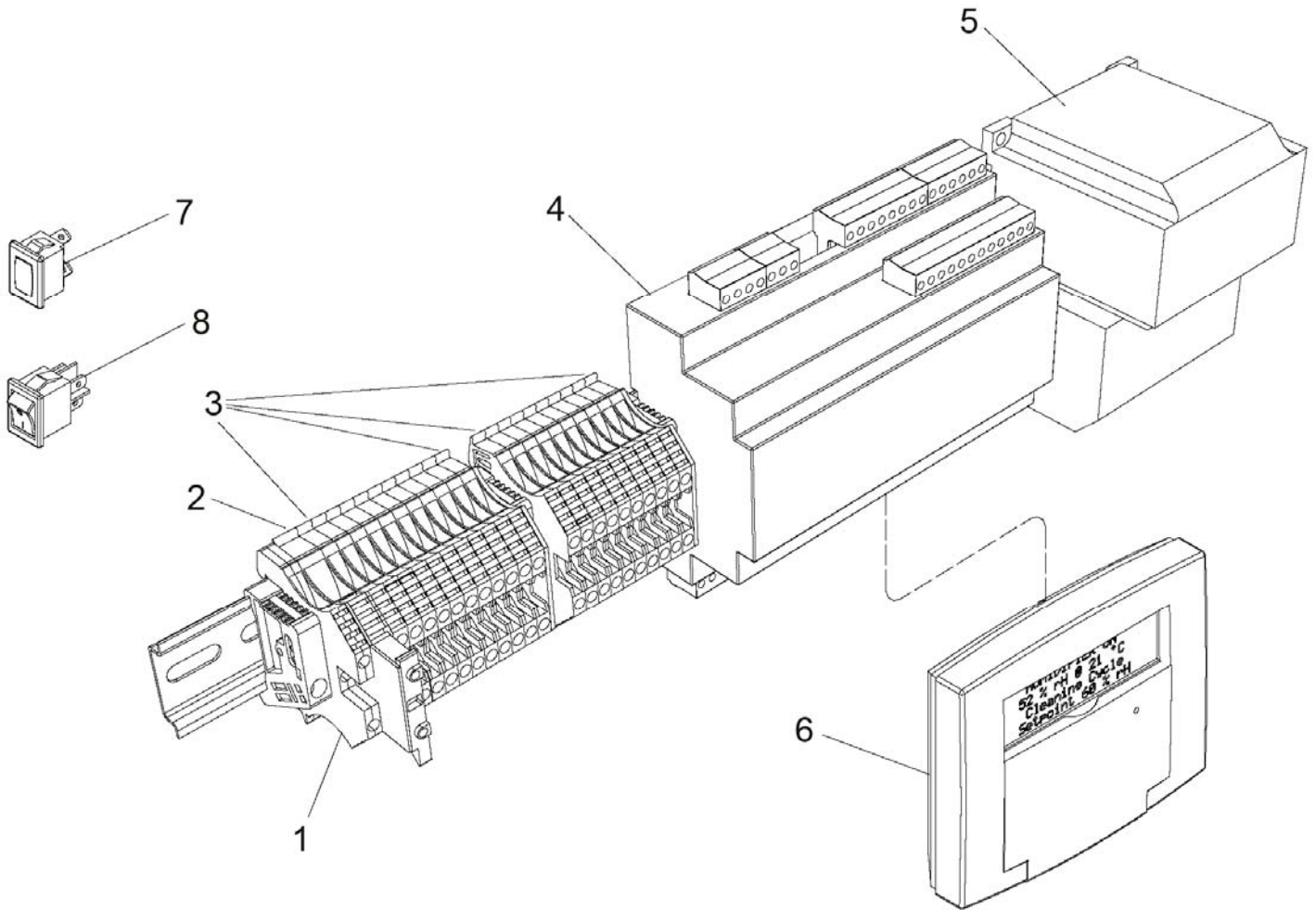


No	Item No	Description	£/each ex VAT
1	01327	½" Male – 15mm Compression Fitting	POA
2	50039	½" M/F/F Tee (Tapped 1/8" For Options)	POA
3	02093	½" – 1/8" Bush	POA
4	01043	0-10bar Glycerine Gauge	POA
5	01042	½" Water Regulator	POA
5a	R43	½" Water Regulator Service Kit	POA
6	01115	½" Hex Nipple	POA
7	01033	½" 2 Way Valve N/C	POA
7a	2WAY	½" 2 Way Valve NC Service Kit	POA
8	01138	½" M/M/F Tee	POA
9	01069	½" 2 Way Valve N/O	POA
9a	2WAYD	½" 2 Way Valve NO Service Kit	POA
10	01337	½" Male – 22mm Compression Fitting	POA
11	01133	½" F/F/F Tee	POA
12	01044	0-4bar Glycerine Gauge	POA
13	01127	½" F/F Elbow	POA
14	01198	1/8" Hex Nipple	POA
15	01199	¼" – 1/8" Bush	POA
16	03002	Water Pressure Switch	POA
17	OPTION600TEMP	Water Temperature Sensor	POA
5a & 7a & 9a	JS600WATERKIT	Js600 Water Line Service Kit	POA

Standard 2-3 day Mainland UK delivery is charged at 3% order value subject to minimum delivery charge. Overseas delivery £POA

All prices are valid until 31/03/09

JS600DS / JS600M – Microprocessor loom

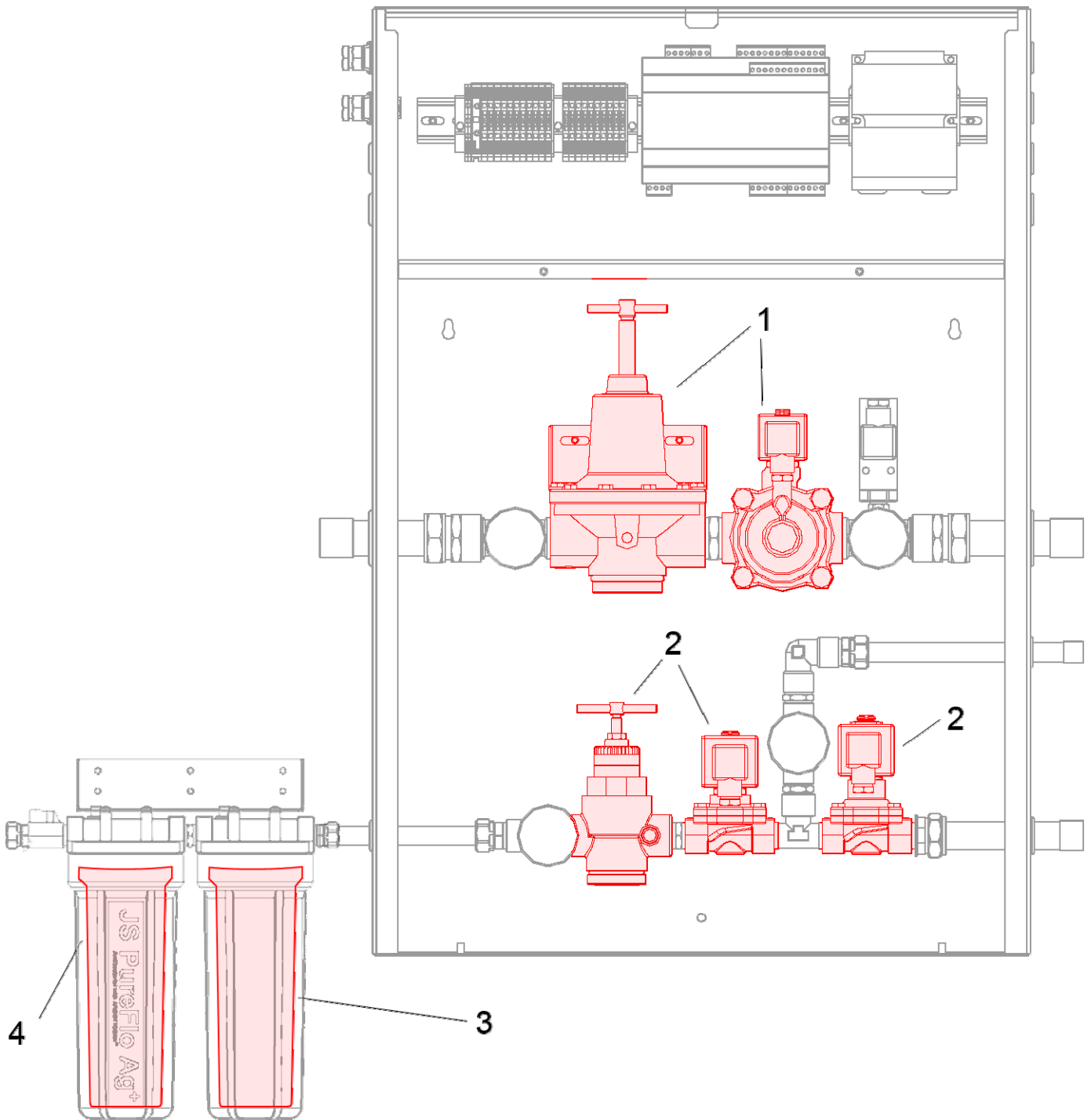


No	Item No	Description	£/each ex VAT
1	01210	Earth terminal	POA
2	01212	Fuse terminal	POA
3	01207	Plain terminal	POA
4	JETSPRAYMC	Jetspray mc controller	POA
5	TRAF075S	Transformer 75VA	POA
6	JETSPRAYMCDISP	JetSpray Display + 10m cable	POA
7	01257	Power light	POA
8	01256	Power switch	POA

Standard 2-3 day Mainland UK delivery is charged at 3% order value subject to minimum delivery charge. Overseas delivery £POA

All prices are valid until 31/03/09

JS600 / JS600DS Service Kits



No	Item No	Description	£/each ex VAT
1	JS600AIRKIT	JS600 / 600DS Air Line Service Kit	POA
2	JS600WATERKIT	JS600 / 600DS Water Line Service Kit	POA
3	155014-44	10" 5 Micron Sediment Filter	POA
4	PUREFLOAG	Pureflo Ag+ Element	POA

Standard 2-3 day Mainland UK delivery is charged at 3% order value subject to minimum delivery charge. Overseas delivery £POA

All prices are valid until 31/03/09