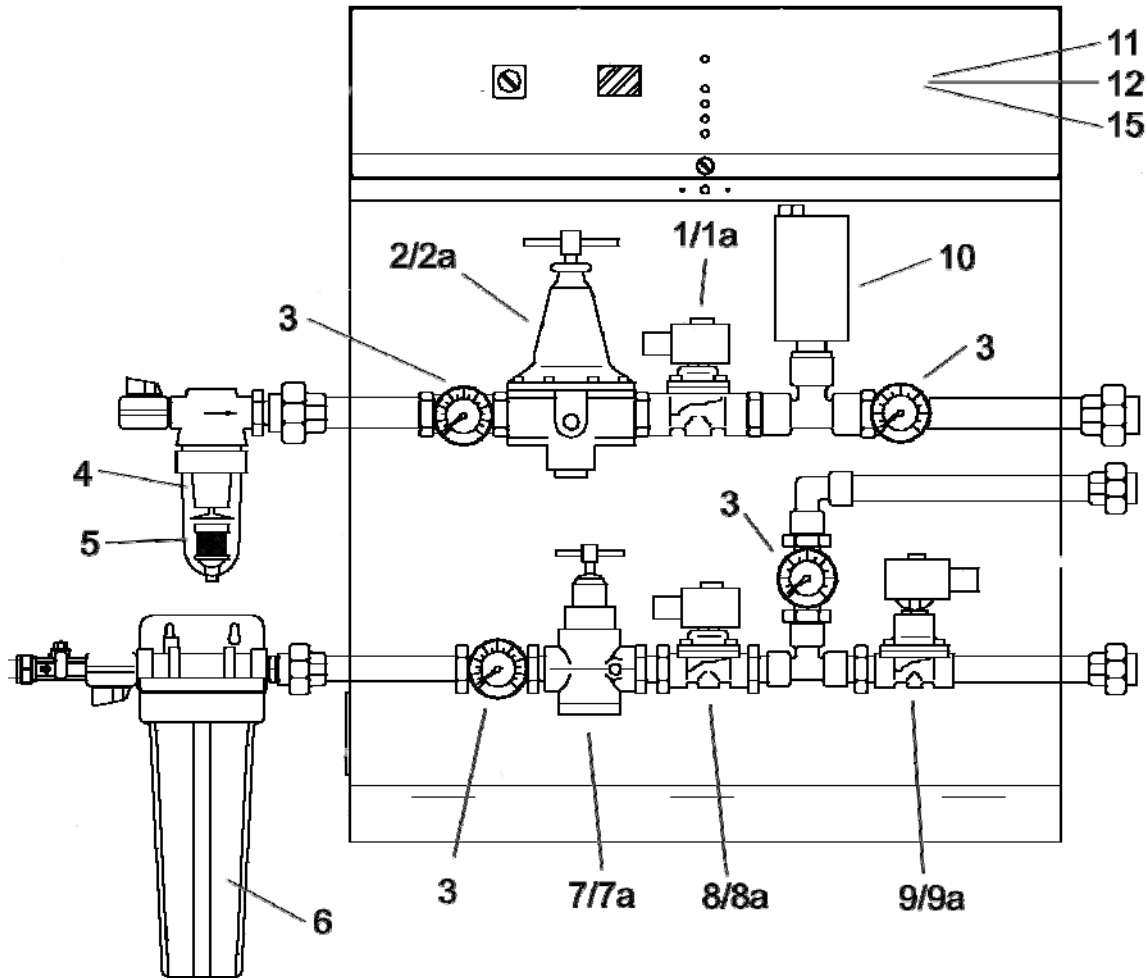


JS2000 - Panel

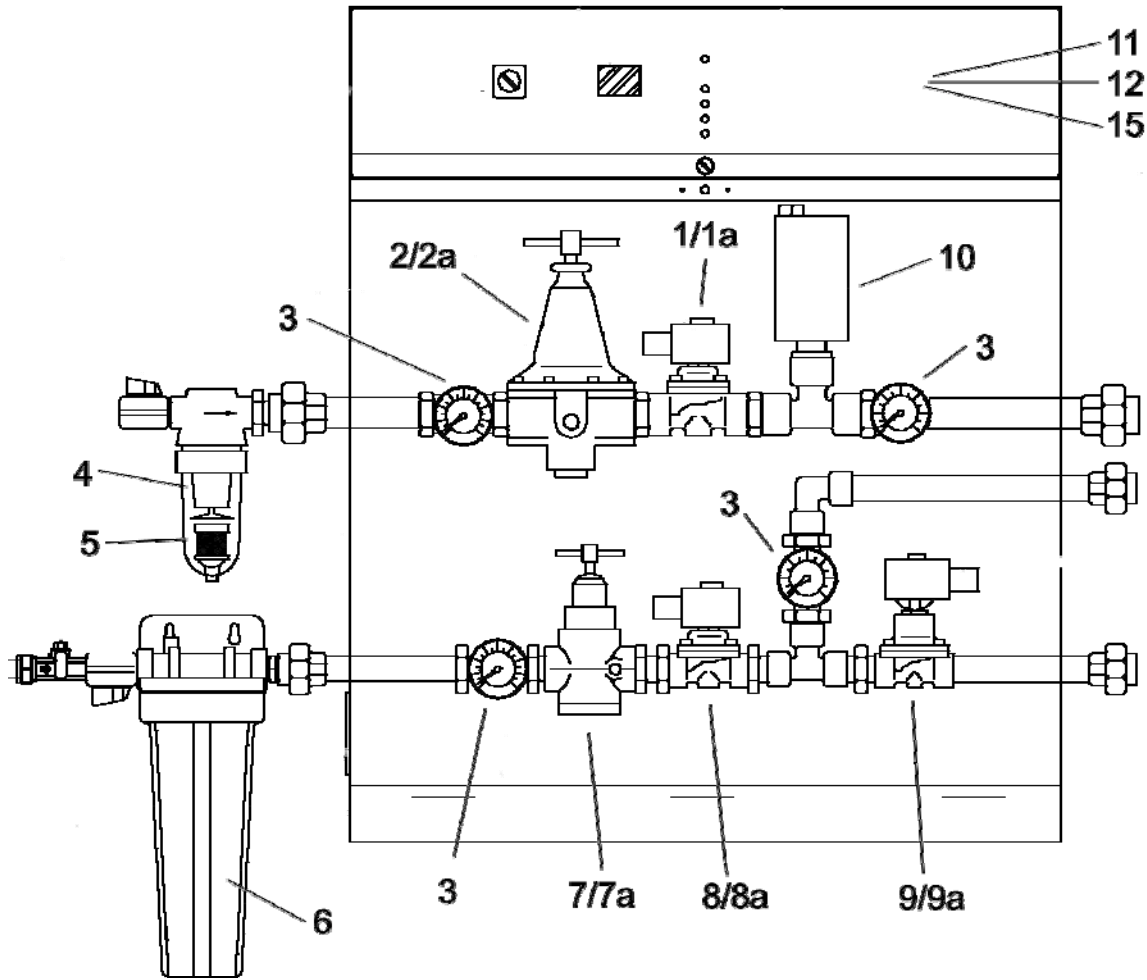


| No | Item No | Description | £/each ex VAT |
|----|--------------|---|---------------|
| 1 | 01033 | Air Solenoid Valve | POA |
| 1a | 2WAY | Air Solenoid Valve Service Kit | POA |
| 2 | 01039 | Air Pressure Regulator | POA |
| 2a | 20AG | Air Pressure Regulator Service Kit | POA |
| 3 | 01043 | Pressure Gauge | POA |
| 4 | ELEMENTF12 | Air Filter Element - Pre 1995 | POA |
| 4 | ELEMENTA2000 | Air Filter Element - Post 1995 | POA |
| 5 | DRAIN F12 | Air Filter Auto Drain - Pre 1995 | POA |
| 5 | AUTODRAIN A | Air Filter Auto Drain - Post 1995 | POA |
| 6 | 155014-44 | Water Filter Element | POA |
| 7 | 01042 | Water Pressure Regulator | POA |
| 7a | R43 | Water Pressure Regulator Service Kit | POA |
| 8 | 01033 | Water Solenoid Valve | POA |
| 8a | 2WAY | Water Solenoid Valve Service Kit | POA |
| 9 | 01069 | Drain Solenoid Valve | POA |
| 9a | 2WAYD | Drain Solenoid Valve Service Kit | POA |
| 10 | 01036 | Air Pressure Switch | POA |
| 11 | 01202 | Main Control PCB (Not Shown) | POA |
| 12 | 01506 | Modulating Control PCB - M Panels Only (Not Shown) | POA |
| 13 | 01080 | Water Modulating Valve - M Panels Only (Not Shown) | POA |
| 14 | 01090 | Water Modulating Valve Actuator - M Panels Only (Not Shown) | POA |
| 15 | 01215 | Fuse - Main PCB (Not Shown) | POA |

Standard 2-3 day Mainland UK delivery is charged at 3% order value subject to minimum delivery charge . Overseas delivery £POA

All prices are valid until 31/03/09

JS3000 - Panel

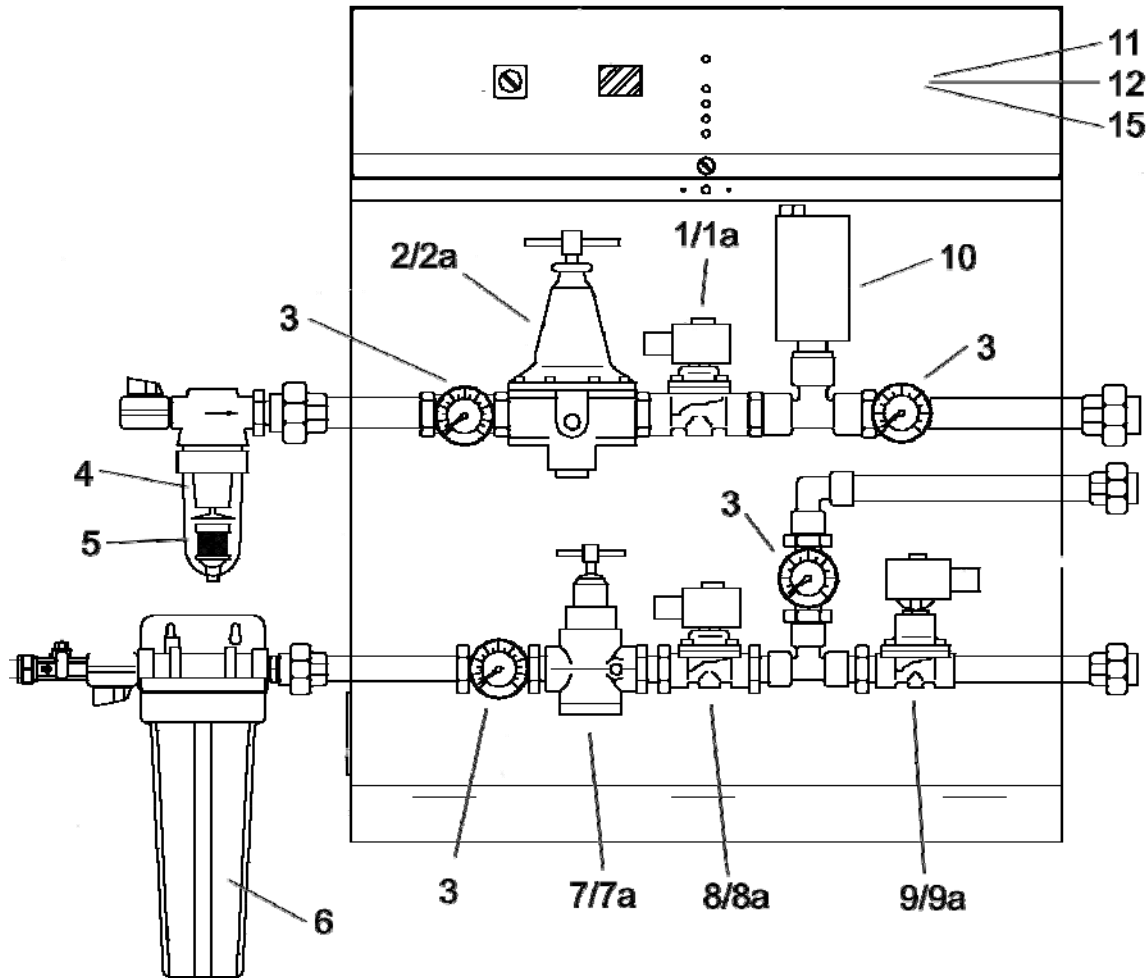


| No | Item No | Description | £/each ex VAT |
|----|--------------|---|---------------|
| 1 | 01063 | Air Solenoid Valve | POA |
| 1a | 2WAY3000 | Air Solenoid Valve Service Kit | POA |
| 2 | 01066 | Air Pressure Regulator | POA |
| 2a | 20AG3/4000 | Air Pressure Regulator Service Kit | POA |
| 3 | 01043 | Pressure Gauge | POA |
| 4 | ELEMENTF12 | Air Filter Element - Pre 1995 | POA |
| 4 | ELEMENTA3000 | Air Filter Element - Post 1995 | POA |
| 5 | DRAIN F12 | Air Filter Auto Drain - Pre 1995 | POA |
| 5 | AUTODRAIN A | Air Filter Auto Drain - Post 1995 | POA |
| 6 | 155014-44 | Water Filter Element | POA |
| 7 | 01042 | Water Pressure Regulator | POA |
| 7a | R43 | Water Pressure Regulator Service Kit | POA |
| 8 | 01033 | Water Solenoid Valve | POA |
| 8a | 2WAY | Water Solenoid Valve Service Kit | POA |
| 9 | 01069 | Drain Solenoid Valve | POA |
| 9a | 2WAYD | Drain Solenoid Valve Service Kit | POA |
| 10 | 01036 | Air Pressure Switch | POA |
| 11 | 01202 | Main Control PCB (Not Shown) | POA |
| 12 | 01506 | Modulating Control PCB - M Panels Only (Not Shown) | POA |
| 13 | 01081 | Water Modulating Valve - M Panels Only (Not Shown) | POA |
| 14 | 01090 | Water Modulating Valve Actuator - M Panels Only (Not Shown) | POA |
| 15 | 01215 | Fuse - Main PCB (Not Shown) | POA |

Standard 2-3 day Mainland UK delivery is charged at 3% order value subject to minimum delivery charge.
Overseas delivery £POA

All prices are valid until 31/03/09

JS4000 - Panel



| No | Item No | Description | £/each ex VAT |
|----|--------------|---|---------------|
| 1 | 01065 | Air Solenoid Valve | POA |
| 1a | 2WAY4000 | Air Solenoid Valve Service Kit | POA |
| 2 | 01067 | Air Pressure Regulator | POA |
| 2a | 20AG3/4000 | Air Pressure Regulator Service Kit | POA |
| 3 | 01043 | Pressure Gauge | POA |
| 4 | ELEMENTF12 | Air Filter Element - Pre 1995 | POA |
| 4 | ELEMENTA4000 | Air Filter Element - Post 1995 | POA |
| 5 | DRAIN F12 | Air Filter Auto Drain - Pre 1995 | POA |
| 5 | AUTODRAIN A | Air Filter Auto Drain - Post 1995 | POA |
| 6 | 155014-44 | Water Filter Element | POA |
| 7 | 01042 | Water Pressure Regulator | POA |
| 7a | R43 | Water Pressure Regulator Service Kit | POA |
| 8 | 01033 | Water Solenoid Valve | POA |
| 8a | 2WAY | Water Solenoid Valve Service Kit | POA |
| 9 | 01064 | Drain Solenoid Valve | POA |
| 9a | 2WAYD | Drain Solenoid Valve Service Kit | POA |
| 10 | 01036 | Air Pressure Switch | POA |
| 11 | 01202 | Main Control PCB (Not Shown) | POA |
| 12 | 01506 | Modulating Control PCB - M Panels Only (Not Shown) | POA |
| 13 | 01081 | Water Modulating Valve - M Panels Only (Not Shown) | POA |
| 14 | 01090 | Water Modulating Valve Actuator - M Panels Only (Not Shown) | POA |
| 15 | 01215 | Fuse - Main PCB (Not Shown) | POA |

Standard 2-3 day Mainland UK delivery is charged at 3% order value subject to minimum delivery charge.
Overseas delivery £POA

All prices are valid until 31/03/09